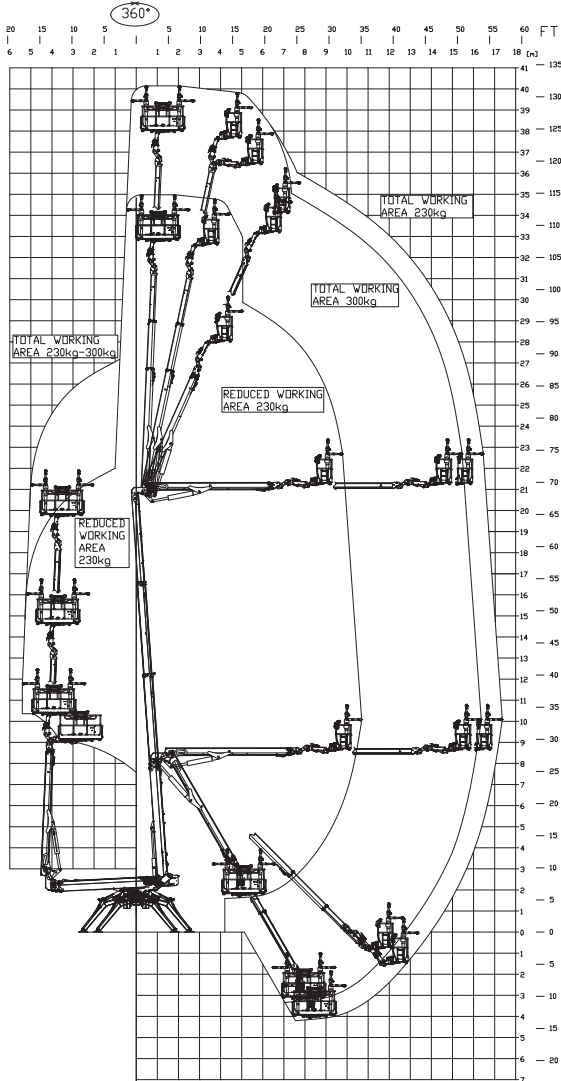
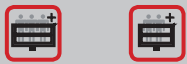
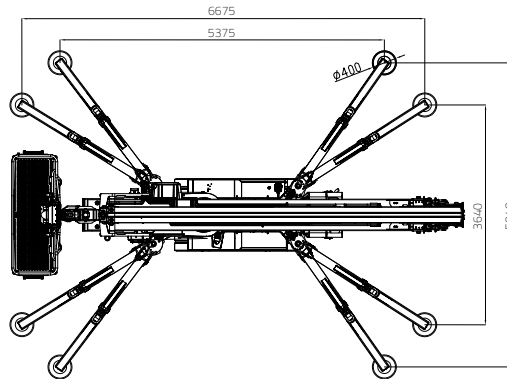
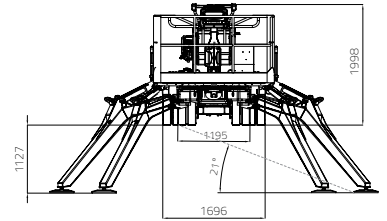
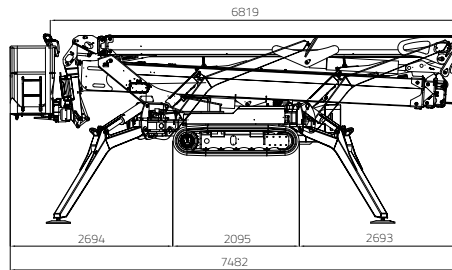


LL40.18



CAPACITY 300 KG
(3 persons 80x3=240 kg + tool box 60 kg)

CAPACITY 230 KG
(2 persons 80x2=160 kg + tool box 70 kg)



- 40,20 m
- 16,50 m 17,50 m
- 7,50 m
- 6,82 m
- 1,99 m
- 2.000 x 700 x h. 1.100 mm

- 180° (+/-90°)
- 16° / 28,7%
- 1.200 / 1.700 mm
- 5.000 daN - 4 daN/cm²
- Variable stabilization area:
5.375 x 5.040 mm (total)
6.675 x 3.640 mm (narrow)

Automatic set up system IIIS std.

Remote control

GPRS-GPS

R.A.H.M.

Lithium-ion battery pack
19,2 kWh

Bi-energy (Diesel + Lithium-ion battery pack)



 LL40.18



DIESEL ENGINE

Brand..... KUBOTA
 Type D902 Autorev
 Pistons no. and displacement.....No. 3 / 898 cm³
 Max gross power
 21,6 HP - 16,1 kW @ 3200 rpm
 Electrical start..... 12 volt

LITHIUM-ION SYSTEM

Lithium-ion powered..... 19,2kWh
 Onboard battery charger.....
 230V or 110V+-30V 50-60 Hz
 Autonomy tbd
 Recharge time on flat batteries
 tbd
 Recharge time to 80% on flat batteries.....
 tbd

HYDRAULIC PUMPS

Electric motorno. 2 gear pumps

TRACKED UNDERCARRIAGE

Track tensionergrease-filled
 Rollers no. per side 6 + slide

Translation speed with 2nd auto2speed:

- diesel engine0,5 - 1,6 km/h
- lithium-ion system..... tbd

WEIGHT MACHINE:

- diesel engine 8.700 kg
- lithium-ion system..... 8.800 kg
- bi-energy system 9.000 kg

MAX WIND SPEED 12,5 m/s